



UNITED NATIONS APPEALS TRIBUNAL
TRIBUNAL D 'APPEL DES NATIONS UNIES

Nock
(Appellant)

v.

[REDACTED]
(Respondent)

JUDGMENT

[N o. 2010-UNAT-023]

Before: Judge Luis María Simón, Presiding
Judge Inés Weinberg de Roca
Judge Sophia Adinyira

Case No.: 2010-028

Date: 30 March 2010

[REDACTED]

Counsel for Appellant: Self-represented

Counsel for Respondent: Jaana Sareva

THE UNITED NATIONS APPEALS TRIBUNAL

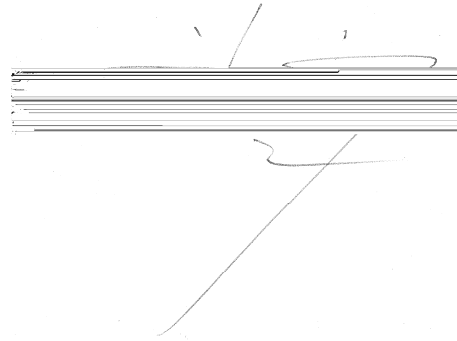
Case No. 2010-028

second participation period covering her seventeen-month contribution between 1985 and 1987.

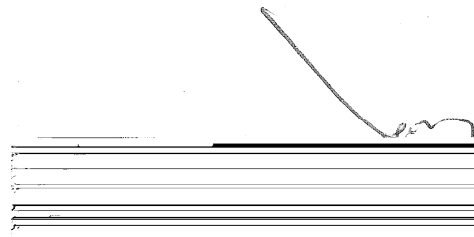
7. Following an amendment to article 24 of the UNJSPF Regulations, Nock requested the restoration of her first part

13. UNJSPF submits that Nock is entitled to a pension benefit that she has accrued from 1998 until her retirement in July 2010 (more than 12 years), including the second participation period which she had restored. She is entitled with respect to her latest participation (over twelve years) to the payment of a monthly lifetime benefit. In

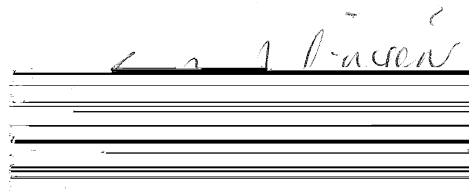
Case No. 2010-028



Judge Simón, Presiding



Judge Weinberg de Roca



Judge Adinyira

Dated this 30th day of March 2010 in Geneva, Switzerland.

Original: English

Entered in the Register on this 26th day of April 2010 in New York, United States.

Weicheng Lin, Registrar, UNAT
